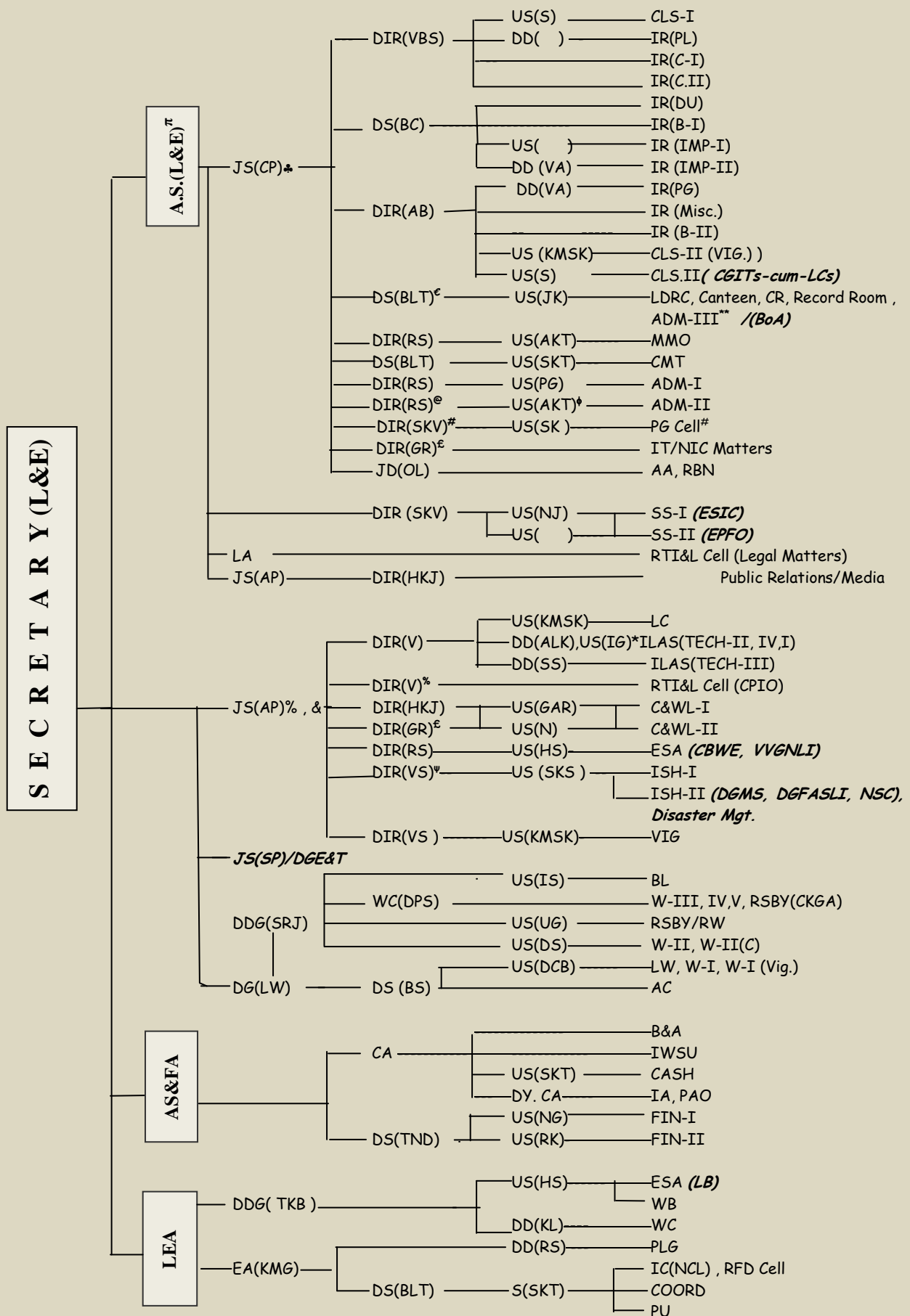


ORGANISATION CHART OF THE MINISTRY OF LABOUR & EMPLOYMENT (MAIN SECTT.)

(Updated upto 15.9.2011)



NOTE :

S. No.	Sym- bol	Description
1.	()	Symbol for Vacant post.
2.	*	ILAS is one single Section. Its bifurcation into TECH (I-V) is only to show the distribution of work of the Section and the channels of submission of files.
3.	#	Shri S.K. Verma, Director is designated as Director, Public Grievances. Public Grievances (PG) Cell is a part of SS-II Section, Public Grievance Officer.
4.	@	(a) Shri Ranbir Singh, Director is Head of Department under DFPR, GFR, FR/SR etc. in respect of Ministry (MS). (b) Shri Ranbir Singh, Director is Staff Grievances Officer and Public Grievance Officer for handling the pension and retirement related matters in r/o Ministry (MS).
5.	£	Shri Goutam Roy, Director, has been designated as IT Manager . He is Chief Information Security Officer (for coordinating Indian Portal Project pertaining to Ministry with D/o IT) and looks after IT/NIC matters through Shri Chandra Prakash, Joint Secretary.
6.	€	Shri B.L.Tikania, Deputy Secretary, is Liaison Officer in r/o representations of SCs/STs in establishments/services under administrative control of Ministry.
7.	♣	(a) Shri Chandra Prakash is Nodal Officer for ACC Vacancy Monitoring System of Ministry of Labour & Employment. (b) Shri Chandra Prakash is Chief Records Officer in r/o Ministry of Labour & Employment in pursuance of provisions of Public Records Act, 1993 and Public Records Rules, 1997.
8.	&	(a) Shri A. C. Pandey, Joint Secretary is Chief Vigilance Officer in the Ministry of Labour & Employment.
9.	ψ	Ms. Vandana Sharma, Director is looking after the work of Disaster Management with regard to this Ministry through JS/AS looking after the work of ISH Division.
10.	φ	US(Adm.II) is Security Officer and Welfare Officer for staff of the Ministry.
11.	**	SO(Adm.III) is Departmental Record Officer and in-charge of the Record Room of the Ministry of Labour & Employment (MS).
12.	π	(a) Shri Ravi Mathur , Additional Secretary is looking after monitoring of Plan/Non-Plan Expenditure of Ministry. (b) Shri Ravi Mathur , Additional Secretary is Special invitee to all Statutory or Advisory Boards/ Committees/ Meetings of the Ministry where he is not a Member. (c) Shri Ravi Mathur , Additional Secretary looks after Organisation of all Regional/Zonal meeting of the Ministry. (d) Shri Ravi Mathur, Additional Secretary is TRANSPARENCY OFFICER in respect of Ministry of Labour & Employment (MS). (e) Shri Ravi Mathur, Additional Secretary, is Appellate Authority for Railways under HOER .
13.	%	(a) Shri Vikas, Director has been designated as Central Public Information Officer under the Right to Information Act in respect of Public Authority, namely, M/O L&E (HQ). (b) Shri A.C Pandey, Joint Secretary has been designated as Appellate Authority under the R.T.I Act.

LEGEND**Designations in Ministry**

LEA	--	Labour & Employment Adviser
LA	--	Legal Adviser
EA	--	Economic Adviser
JS	--	Joint Secretary
FA	--	Financial Adviser
DGLW	--	Director General Labour Welfare
CLC(C)	--	Chief Labour Commissioner (Central)
DIR	--	Director
DS	--	Deputy Secretary
DWC	--	Dy. Welfare Commissioner
CA	--	Controller of Accounts
Dy. CA	--	Deputy Controller of Accounts
JD	--	Joint Director
US	--	Under Secretary
DD	--	Deputy Director
SA	--	Senior Analyst
AO	--	Accounts Officer

Abbreviations used in Names of**Sections/Desks/Units:**

AA	: Anuvad Anubhag
ADM	: Administration
AC	: Audit Cell
B	: Bank
B&A	: Budget & Accounts
BL	: Bonded Labour
C	: Coal
C&WL	: Child & Women Labour
CLS	: Central Labour Service
CMT	: Career Management & Training
COORD	: Coordination
CR	: Central Registry
CR(JH)	: Central Registry (Jaisalmer House)
DU	: Departmental Undertaking
ESA	: Economic & Statistical Analysis
FIN	: Finance
IA	: Internal Audit
IC(NCL)	: Implementation Cell (National Commission on Labour)
ILAS	: International Labour Affairs Section
IMP	: Implementation
IR	: Industrial Relations
ISH	: Industrial Safety and Health
IWSU	: Internal Work Study Unit
LC	: Labour Conference
LDRC	: Labour Documentation & Research Centre
LW	: Labour Welfare
MISC	: Miscellaneous
MMO	: Meeting And Maintenance Officer
OL	: Official Language
PAO	: Pay And Accounts Officer
PG	: Policy General
PL	: Policy Legal
PLG	: Planning Unit
PU	: Parliament Unit
RBN	: Raj Bhasha Niti
RFD	: Results- Framework Document
RTI&L	: RTI and Legal Cell
RW	: Rural Workers
SS	: Social Security
TECH	: Technical
W	: Welfare
WB	: Wage Board
WC	: Wage Cell
W.II(C)	: Welfare II(Committee)

Attached/Subordinate & Autonomous Bodies

Attached Offices :	
(DGE&T)	: Directorate General of Employment & Training
(CLC(C))	: Chief Labour Commissioner (Central)
(DGFASLI)	: Directorate General of Factory Advice Service and Labour Institutes
(DGLB)	: Directorate General, Labour Bureau
Subordinate Offices:	
(DGMS)	: Directorate General of Mines Safety
(LWO)	: Labour Welfare Organisation
(CGITs-cum-LCs)	: Central Government Industrial Tribunal-cum-Labour Courts
(BoA)	: Board of Arbitration
Autonomous Bodies:	
(EPFO)	: Employees' Provident Fund Organisation
(ESIC)	: Employees State Insurance Corporation
(CBWE)	: Central Board For Workers' Education
(VVGNLI)	: V.V. Giri National Labour Institute
(NIMI)	: National Instructional Media Institute
(NSC)	: National Safety Council

NAME OF OFFICERS

Secretary	--	Dr. Mrutyunjay Sarangi
Addl. Secy	--	Shri Ravi Mathur
AS&FA	--	Shri Chaman Kumar
LEA	--	Smt. Vinita Kumar
DGLW	--	Shri Anil Swarup
JS(AP)	--	Shri Anup Chandra Pandey
JS(SP)/DGE&T	--	Shri Sharda Prasad
JS(CP)	--	ShriChandra Prakash
LA	--	Shri B.L.Choudhary
EA(KMG)	--	Shri K.M. Gupta
DDG(SRJ)	--	Shri S.R. Joshi
DDG(TKB)	--	Shri T.K.Basu
DIR(SKV)	--	Shri S.K. Verma
DIR(RS)	--	Shri Ranbir Singh
DIR(V)	--	Shri Vikas
DIR(AB)	--	Shri Animesh Bharti
DIR(GR)	--	Shri Goutam Roy
DIR(VBS)	--	Shri Vijay Bahadur Singh
DIR(VS)	--	Ms Vandana Sharma
DIR(HKJ)	--	Shri Harish Kumar Jethi
CA	--	Shri Arvind Kumar
WC(HQ)	--	Shri D.P.Singh
DS(BLT)	--	Shri B.L. Tikania
DS(TND)	--	Shri T.N. Dwivedi
DS (BC)	--	Shri Babu Cherian
DS (BS)	--	Shri Balbir Singh
JD(OL)	--	Shri Rakesh Kumar Dwivedi
US(PG)	--	Shri Pradeep Gaur
US(PKT)	--	Shri P.K. Tamrakar
US(S)	--	Shri Shersha
US(DS)	--	Shri Dinesh Singh
US(JK)	--	Shri Jagdish Kumar
US(DCB)	--	Shri D.C. Bijalwan
US (RK)	--	Shri Raj Kumar
US(IS)	--	Shri Ishwar Singh
US(UG)	--	Ms. Urmila Goswami
US(IG)	--	Smt. Indrani Gupta
US(AKT)	--	Shri Anjani Kumar Thakur
US(NG)	--	Smt. Nisha Gaur
US(JT)	--	Shri Johan Topno
US(NJ)	--	Shri Naresh Jaiswal
US(SKT)	--	Shri Sushil Kumar Tripathi
US(GAR)	--	Sh. Gopal Aaditya Raghuvanshi
US (KMSK)	--	Shri K.M.S.Khalsa
US(SK)	--	Shri Subhash Kumar
US(SKS)	--	Shri Santosh Kumar Singh
US(N)	--	Smt.B.Neeraja
US(HS)	--	Shri Harpreet Singh
DD(VA)	--	Shri V. Ashok
DD(SS)	--	Ms. Sameera Saurabh R.P. Singh
DD(KL)	--	Shri Kishori Lal
DD (RS)	--	Shri Ramesh Singh
DD(AL)	--	Ms. Ashwini Lal Kotasthane
Sr.AO	--	Smt. Surinder Kaur

NAME OF OFFICERS (MAIN SECTT.) (UPTO U.S. LEVEL)

SECRETARY	Dr. Mrutyunjay Sarangi		
Addl. Secy	Shri Ravi Mathuar	AS&FA	Shri Chaman Kumar
LEA	Smt. Vinita Kumar	JS(SP)/DGE&T	Shri Sharda Prasad
DGLW	Shri Anil Swarup	JS(AP)	Shri Anup Chandra Pandey
JS(CP)	Shri Chandra Prakash	L.A.	Shri B.L.Choudhary
DDG(SRJ)	Shri S.R. Joshi	E.A. (KMG)	Shri K.M. Gupta
DDG(TKB)	Shri T.K.Basu		
DIR(SKV)	Shri S.K. Verma	DIR(AB)	Shri Animesh Bharti
DIR(RS)	Shri Ranbir Singh	DIR(VBS)	Shri Vijay Bahadur Singh
DIR(V)	Shri Vikas	DIR(R)	Shri Goutam Roy
DIR(VS)	Ms. Vandana Sharma	DS(BC)	Shri Babu Cherian
WC(HQ)	Shri D.P.Singh	CA	Shri Arvind Kumar
DS(HKJ)	Shri Harish Kumar Jethi	DS(TND)	Shri T.N. Dwivedi
DS(BLT)	Shri B.L. Tikania	DS (BS)	Shri Balbir Singh
JD(OL)	Shri Rakesh Kumar Dwivedi		
SA	-	US(PG)	Shri Pradeep Gaur
US(PKT)	Shri P.K. Tamrakar	US(DS)	Shri Dinesh Singh
US(S)	Shri Shersha	US()	Shri
US(JK)	Shri Jagdish Kumar	US()	Shri Ajay Joshi
US(GAR)	Shri Gopal Aditya Raghuvansi	US(IS)	Shri Ishwar Singh
US (KMSK)	Shri K.M.S. Khalsa	US(AKT)	Shri Anjani Kumar Thakur
US(UG)	Ms. Urmila Goswami	US(DCB)	Shri D.C. Bijalwan
US(IG)	Smt. Indrani Gupta	US(NJ)	Shri Naresh Jaiswal
US(NG)	Smt. Nisha Gaur	US (SKT)	Shri S. K. Tripathi
US(JT)	Shri Johan Topno	DD(VA)	Shri V. Ashok
DD(KL)	Shri Kishori Lal	DD(ALK)	Ms. Ashwini Lal Kotasthane
DD(SS)	Ms. Sameera Saurabh R.P. Singh	US(HS)	Shri Harpreet Singh
US(SKT)	Shri Sushil Kumar Tripathi	US(SK)	Shri Subhash Kumar
US(N)	Smt. B.Neeraja	US(SKS)	Shri Santosh Kumar Singh
DD (RS)	Shri Ramesh Singh	Sr. AO	Surinder Kaur

** ** *

